

Mi-T-M[®] CORPORATION

8650 Enterprise Drive, Peosta IA 52068

319-556-7484 / Fax 319-556-1235

PARTS LIST FOR **CW-2505/3004-3MDY** (AFTER SERIAL #317278)

Engine Oil Grade:	SAE20W-40
Engine Oil Capacity:	56 oz.
Pump Oil Grade:	Mi-T-M Pump Oil #AW-4085-0016
Pump Oil Capacity:	40.6 oz.
Nozzle Size:	
CW-2505-3MDY:	5.5
CW-3004-3MDY:	4.0

This Parts Listing has been compiled for your benefit. You can be assured your Mi-T-M Cold Water Pressure Washer was constructed and designed with quality and performance in mind using over 25 years experience in the pressure washer business. Each component has been rigorously tested to insure the highest level of acceptance.

The contents of this Parts Listing are based on the latest product information available at the time of publication. Mi-T-M reserves the right to make changes in price, color, materials, equipment, specifications or models at any time without notice.

WARNING

THIS IS A PROFESSIONAL HIGH PRESSURE, COLD WATER PRESSURE WASHER. CAUTION SHOULD BE OBSERVED WHEN USING OR REPAIRING THIS UNIT! READ AND FOLLOW THE SAFETY WARNINGS LISTED BELOW BEFORE ATTEMPTING ANY REPAIRS ON THIS PRESSURE WASHER!

SAFETY WARNINGS

1. NEVER alter or modify the equipment. Be sure any accessory items and system components being used will withstand the pressure developed. Use only genuine Mi-T-M parts for repair of your pressure washer. Failure to do so can cause hazardous operating conditions and will VOID warranty.
2. NEVER make adjustments on machinery while the unit is connected to the power source. Turning over the machinery by hand during adjustment or cleaning might start the machinery, causing serious injury to the operator.
3. Know how to stop and bleed pressures quickly. Be thoroughly familiar with controls.
4. Before servicing the unit, turn unit off, relieve the water pressure and allow the unit to cool down. Do not make repairs while the unit is running. Service in a clean, dry, flat area.
5. After testing the machine, DO NOT leave the pressurized unit unattended. Shut off the unit and release trapped pressure before leaving.

Table of Contents

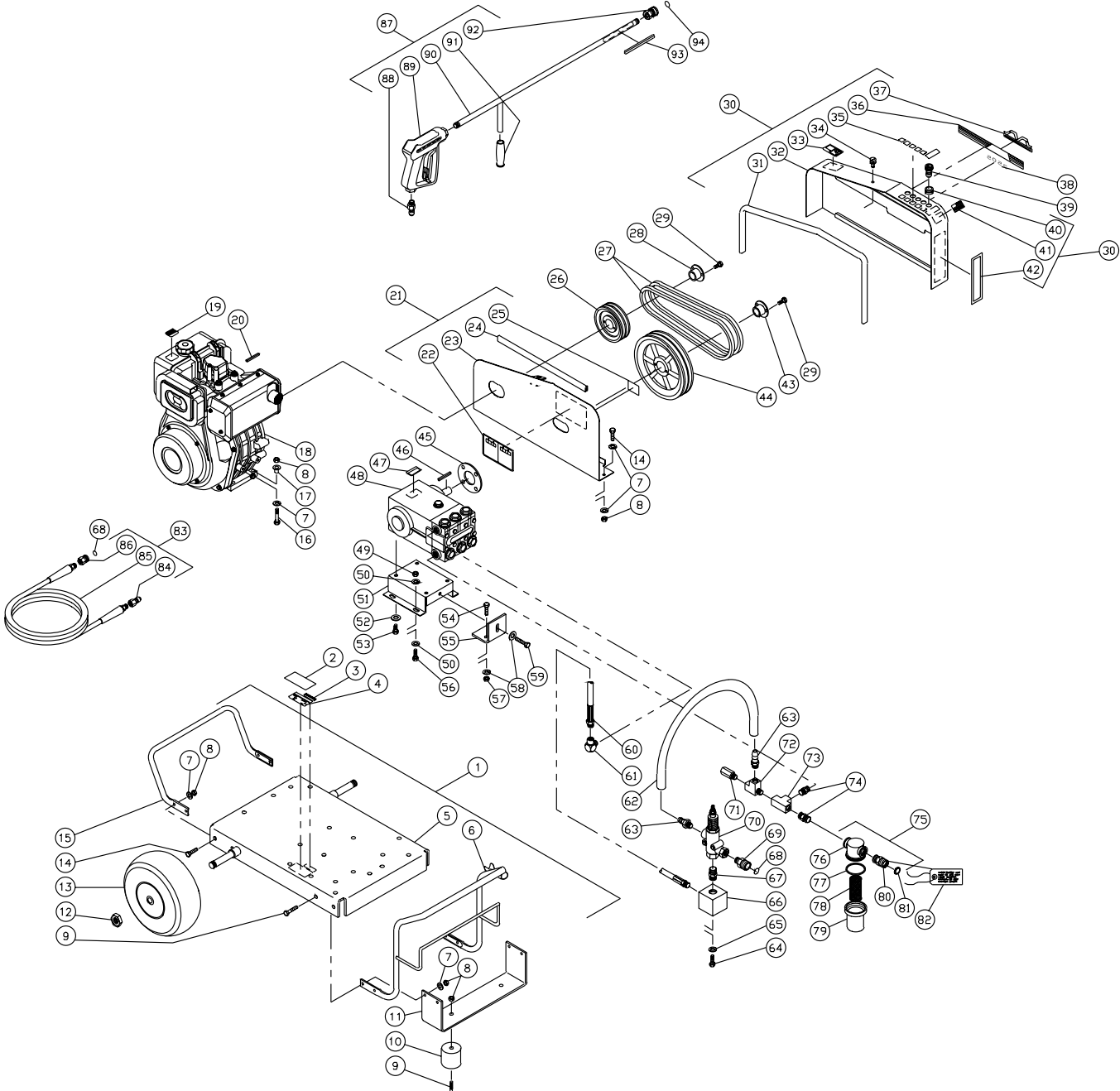
SPECIFICATIONS	3
FRAME ASSEMBLY FOR CW-2505-3MDY	4
FRAME ASSEMBLY FOR CW-3004-3MDY	6
PUMP ASSEMBLY (3-0079)	8
UNLOADER ASSEMBLY (8-0032)	10
GUN ASSEMBLY (16-0001)	12
NOTES	14

SPECIFICATIONS

CW-2505/3004-3MDY

MODEL NUMBER	CW-2505-3MDY	CW-3004-3MDY
Operating Pressure (PSI/Bar):	2500/172.4	3000/206.8
High Pressure Nozzle:	5.5	4.0
Water Volume (GPM/lpm):	4.4/16.6	3.5/13.2
Engine:	Yanmar	
Horsepower	9.0	
Engine Type	Air Cooled, Vertical Single Cylinders, Four Stroke Diesel	
Oil Type	SAE20W-40	
Oil Capacity (oz./liters)	56/1.6	
Fuel Type	Diesel	
Fuel Capacity (gallon/ liters)	.95/3.6	
Starting	Recoil	
Maximum No Load RPM	3600 (+/- 100) RPM	
Pump:	Belt Driven, Oil Bath, Triplex Piston	
Oil Type	Mi-T-M Pump Oil #AW-4085-0016	
Oil Capacity (oz./liters)	40.6/1.2	
Plungers	Ceramic	
Manifold	Forged Brass	
Valves	Stainless Steel	
Unloader	Preset	
Heat Dump Valve	Relieves heated water during unloader bypass stage	
Unit Net Weight (lbs/Kg)	250/113	
Unit Shipping Weight (lbs/Kg)	321/145.5	
Unit Net Dimension (in/cm)	46Lx28Wx30H/117Lx71Wx76H	
Unit Shipping Dimension (in/cm)	48.5Lx30.5Wx35.5H/123Lx77.5Wx90H	

FRAME ASSEMBLY FOR CW-2505-3MDY

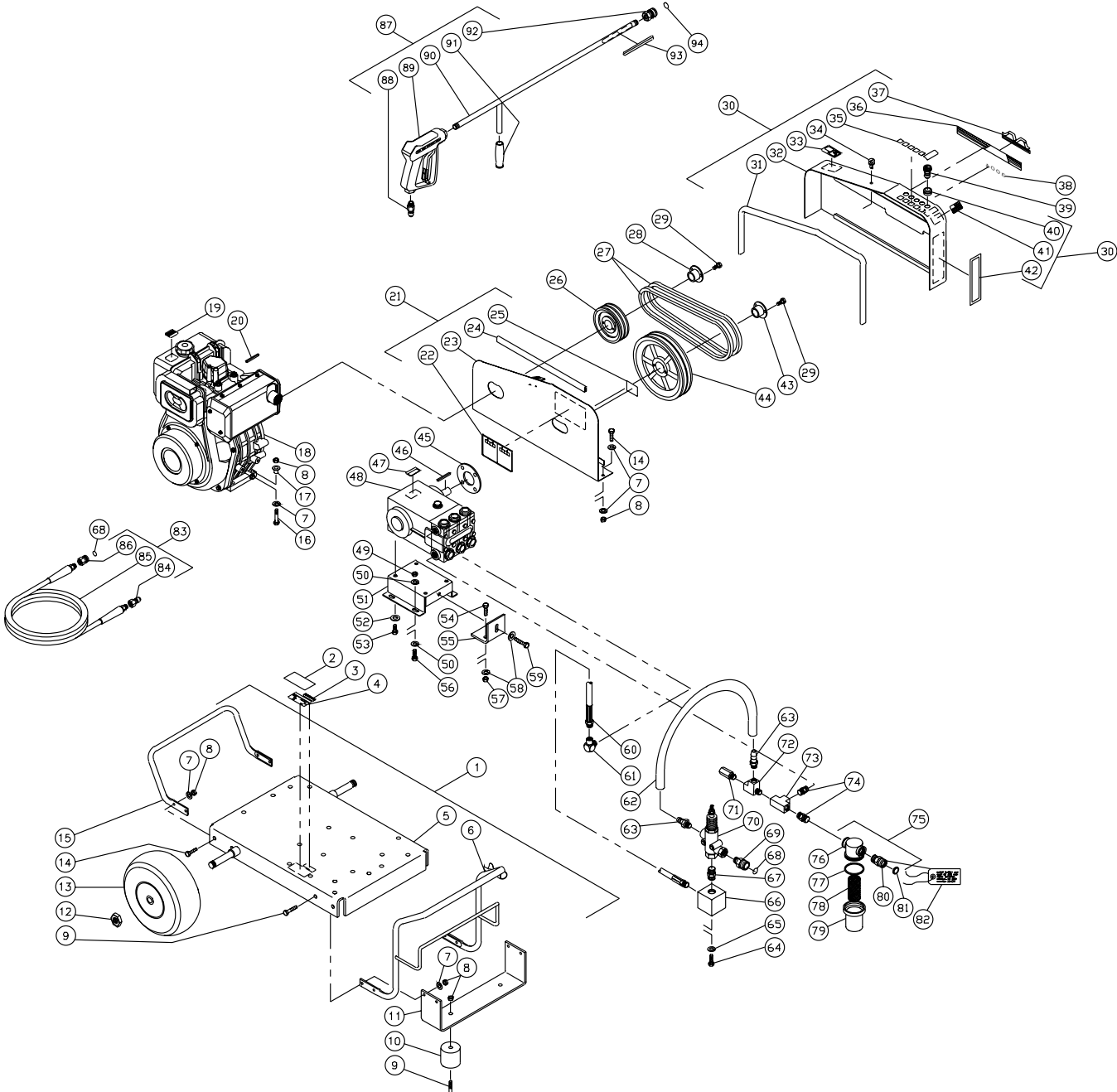


CW-2505-3MDY-082199-RD

FRAME ASSEMBLY FOR CW-2505-3MDY

REF. #	DESCRIPTION	PART #	QTY.	REF. #	DESCRIPTION	PART #	QTY.	REF. #	DESCRIPTION	PART #	QTY.
1	Base Plate Assembly (Inc. 5-17)	851-0270	1	34	Fastener	33-0197	1	64	Bolt	27-0116	2
2	Decal- Clear Laminate	N/A	1	35	Nozzles	34-0500	1	65	Washer	29-0008	2
3	Decal- Serial Number	N/A	1	36	Decal- Mi-T-M Stripe	34-0501	1	66	Manifold Block	51-0012	1
4	Decal- Data Plate	N/A	1	37	Decal- Mi-T-M Logo	62-0086	1	67	Hex Nipple	24-0031	1
5	Base Plate	5-0117A01	1	38	Decal- Die Cut 2505	34-0416	1	68	O-ring (Replacement Only)	25-0123	-
6	Handle- Front	7-0101A01	1	39	Spray Nozzle- 0005.5	18-0035	1	69	Quick Connect Socket	17-0029	1
7	Washer	28-0003	20	-	Spray Nozzle- 1505.5	18-0041	1	70	Unloader	8-0032	1
8	Locknut	30-0157	18	-	Spray Nozzle- 2505.5	18-0062	1	71	Heat Dump Valve	22-0005	1
9	Bolt	27-0068	6	-	Spray Nozzle- 4005.5	18-0132	1	72	Tee	23-0124	1
10	Isolator	14-0008	2	40	Grommet	33-0001	5	73	Tee	23-0043	1
11	Underbracket	13-0042A01	1	41	Decal- American Flag	34-0521	1	74	Hex Nipple	23-0012	2
12	Jamnut	30-0117	2	42	Decal- Operating Instructions	34-0499	1	75	Strainer (Inc. 79-84)	19-0057	1
13	Wheel	14-0006	2	43	Bushing	9-0017	1	76	Strainer Cap	19-0058	1
14	Bolt	27-0067	8	44	Sheave	10-0040	1	77	Strainer Gasket	26-0160	1
15	Handle- Rear	7-0104A01	1	45	Isolator	33-0202	1	78	Strainer Steel Screen	19-0059	1
16	Bolt	27-0070	4	46	Key	43-0028	1	79	Strainer Bowl	19-0060	1
17	Engine Shim	33-0169	4	47	Decal- Pump ID Number	N/A	1	80	Garden Hose Swivel	23-0095	1
18	Engine- 9.0 HP	1-0084	1	48	Pump	3-0079	1	81	Garden Hose Gasket	26-0001	1
19	Decal-Caution: Allow to Cool	34-0588	1	49	Locknut	30-0161	4	82	Tag-Water Supply Inlet	34-0097	1
20	Key	43-0078	1	50	Washer	28-0030	8	83	High Pressure Hose Assembly (Inc. 84-86)	851-0007	1
21	Beltguard Back Assembly (Inc. 22-25)	851-0271	1	51	Pump Bracket	5-0101A01	1	84	Quick Connect Plug	17-0006	1
22	Decal- Warning/Caution	34-0498	1	52	Washer	29-0055	4	85	Pressure Hose	15-0003	1
23	Decal- Warning: Beltguard Back (See 851-0271)	N/A Sep.	1	53	Bolt	27-8471	4	86	Quick Connect Socket	17-0004	1
24	Edging *(Two Feet Required)	33-0020	1	54	Bolt	27-0118	2	87	Gun/Wand Assembly (Inc. 88-92)	851-0095	1
25	Decal- Beltguard Cover	34-0575	1	55	Brace Tightener	13-0003A01	1	88	Quick Connect Plug	17-0005	1
26	Sheave	10-0067	1	56	Bolt	27-0166	4	89	Gun	16-0001	1
27	Belt:	11-0011	2	57	Locknut	30-0159	2	90	Wand	16-0120A01	1
28	Bushing	9-0005	1	58	Washer	28-0023	3	91	Handle Grip	17-0002	1
29	Bolt	27-0015	1	59	Bolt	27-0576	1	92	Quick Connect Socket	17-0001	1
30	Beltguard Cover Assembly (Inc. 31-37, 40-42)	851-0216	1	60	Hose	15-0024	1	93	Decal- Warning: Risk of Injection	34-0572	1
31	Edging *(Four Feet Required)	33-0020	1	61	Elbow	24-0105	1	94	O-ring (Replacement Only)	25-0122	-
32	Beltguard Cover (See 851-0216)	N/A Sep.	1	62	By-pass Hose	15-0035	1	*Must Order in One Foot Lengths			
33	Decal- Warning: Muffler Hot	34-0130	1	63	Hose Barb	23-0007	2				

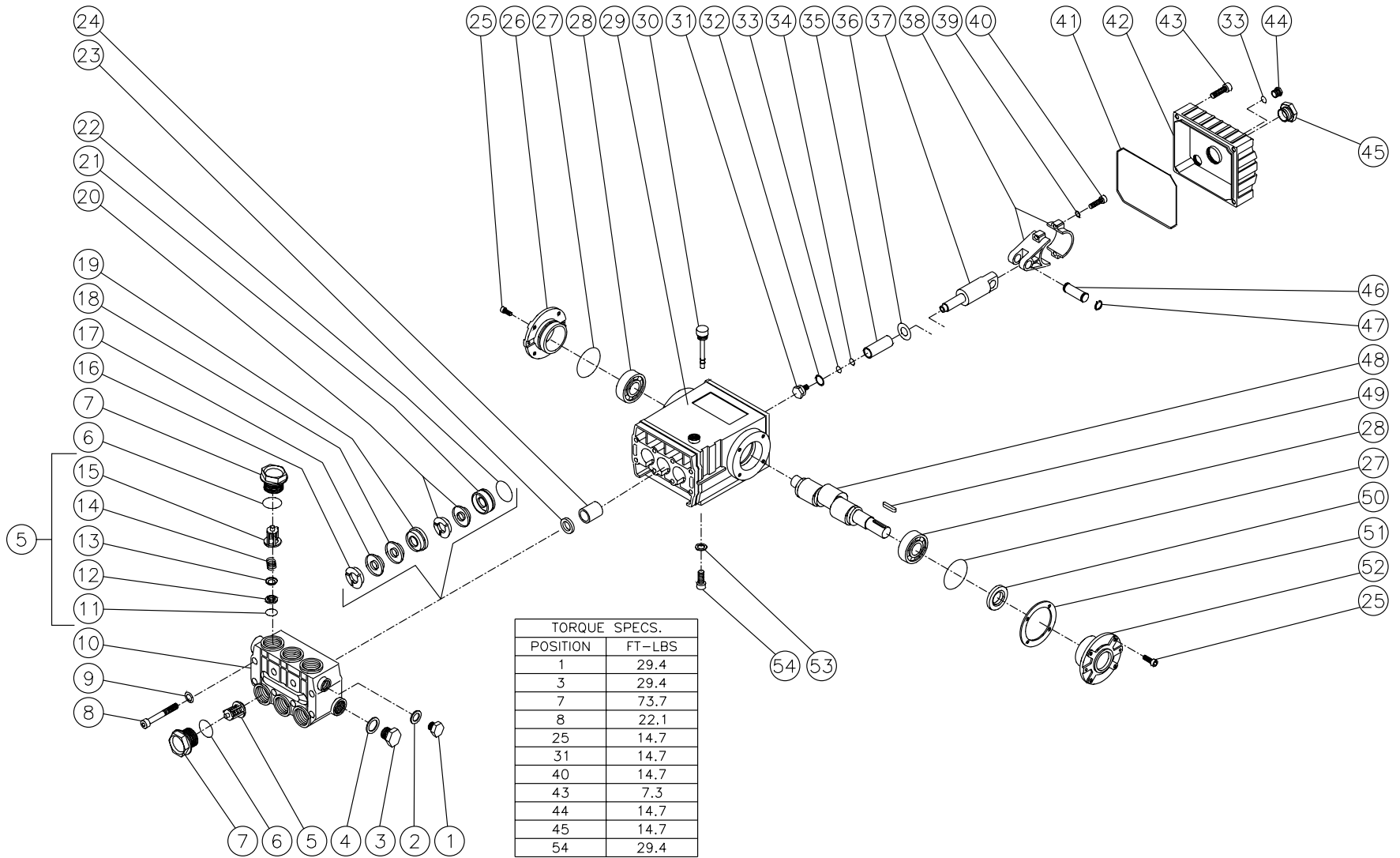
FRAME ASSEMBLY FOR CW-3004-3MDY



CW-3004-3MDY-011200-RD

FRAME ASSEMBLY FOR CW-3004-3MDY											
REF. #	DESCRIPTION	PART #	QTY.	REF. #	DESCRIPTION	PART #	QTY.	REF. #	DESCRIPTION	PART #	QTY.
1	Base Plate Assembly (Inc. 5-17)	851-0270	1	34	Fastener	33-0197	1	64	Bolt	27-0116	2
2	Decal- Clear Laminate	N/A	1	35	Nozzles	34-0500	1	65	Washer	29-0008	2
3	Decal- Serial Number	N/A	1	36	Decal- Mi-T-M Stripe	34-0501	1	66	Manifold Block	51-0012	1
4	Decal- Data Plate	N/A	1	37	Decal- Mi-T-M Logo	62-0086	1	67	Hex Nipple	24-0031	1
5	Base Plate	5-0117A01	1	38	Decal- Die Cut 3004	34-0105	1	68	O-ring (Replacement Only)	25-0123	-
6	Handle- Front	7-0101A01	1	39	Spray Nozzle- 0004	18-0028	1	69	Quick Connect Socket	17-0029	1
7	Washer	28-0003	20	-	Spray Nozzle- 1504	18-0029	1	70	Unloader	8-0032	1
8	Locknut	30-0157	18	-	Spray Nozzle- 2504	18-0030	1	71	Heat Dump Valve	22-0005	1
9	Bolt	27-0068	6	-	Spray Nozzle- 4004	18-0031	1	72	Tee	23-0124	1
10	Isolator	14-0008	2	40	Grommet	33-0001	5	73	Tee	23-0043	1
11	Underbracket	13-0042A01	1	41	Decal- American Flag	34-0521	1	74	Hex Nipple	23-0012	2
12	Jamnut	30-0117	2	42	Decal- Operating Instructions	34-0499	1	75	Strainer (Inc. 79-84)	19-0057	1
13	Wheel	14-0006	2	43	Bushing	9-0017	1	76	Strainer Cap	19-0058	1
14	Bolt	27-0067	8	44	Sheave	10-0040	1	77	Strainer Gasket	26-0160	1
15	Handle- Rear	7-0104A01	1	45	Isolator	33-0202	1	78	Strainer Steel Screen	19-0059	1
16	Bolt	27-0070	4	46	Key	43-0028	1	79	Strainer Bowl	19-0060	1
17	Engine Shim	33-0169	4	47	Decal- Pump ID Number	N/A	1	80	Garden Hose Swivel	23-0095	1
18	Engine- 9.0 HP	1-0084	1	48	Pump	3-0079	1	81	Garden Hose Gasket	26-0001	1
19	Decal-Caution: Allow to Cool	34-0588	1	49	Locknut	30-0161	4	82	Tag-Water Supply Inlet	34-0097	1
20	Key	43-0078	1	50	Washer	28-0030	8	83	High Pressure Hose Assembly (Inc. 84-86)	851-0007	1
21	Beltguard Back Assembly (Inc. 22-25)	851-0271	1	51	Pump Bracket	5-0101A01	1	84	Quick Connect Plug	17-0006	1
22	Decal- Warning/Caution	34-0498	1	52	Washer	29-0055	4	85	Pressure Hose	15-0003	1
23	Decal- Warning: Beltguard Back (See 851-0271)	N/A Sep.	1	53	Bolt	27-8471	4	86	Quick Connect Socket	17-0004	1
24	Edging *(Two Feet Required)	33-0020	1	54	Bolt	27-0118	2	87	Gun/Wand Assembly (Inc. 88-92)	851-0095	1
25	Decal- Beltguard Cover	34-0575	1	55	Brace Tightener	13-0003A01	1	88	Quick Connect Plug	17-0005	1
26	Sheave	10-0029	1	56	Bolt	27-0166	4	89	Gun	16-0001	1
27	Belt:	11-0036	2	57	Locknut	30-0159	2	90	Wand	16-0120A01	1
28	Bushing	9-0005	1	58	Washer	28-0023	3	91	Handle Grip	17-0002	1
29	Bolt	27-0015	1	59	Bolt	27-0576	1	92	Quick Connect Socket	17-0001	1
30	Beltguard Cover Assembly (Inc. 31-37, 40-42)	851-0216	1	60	Hose	15-0024	1	93	Decal- Warning: Risk of Injection	34-0572	1
31	Edging *(Four Feet Required)	33-0020	1	61	Elbow	24-0105	1	94	O-ring (Replacement Only)	25-0122	-
32	Beltguard Cover (See 851-0216)	N/A Sep.	1	62	By-pass Hose	15-0035	1	*Must Order in One Foot Lengths			
33	Decal- Warning: Muffler Hot	34-0130	1	63	Hose Barb	23-0007	2				

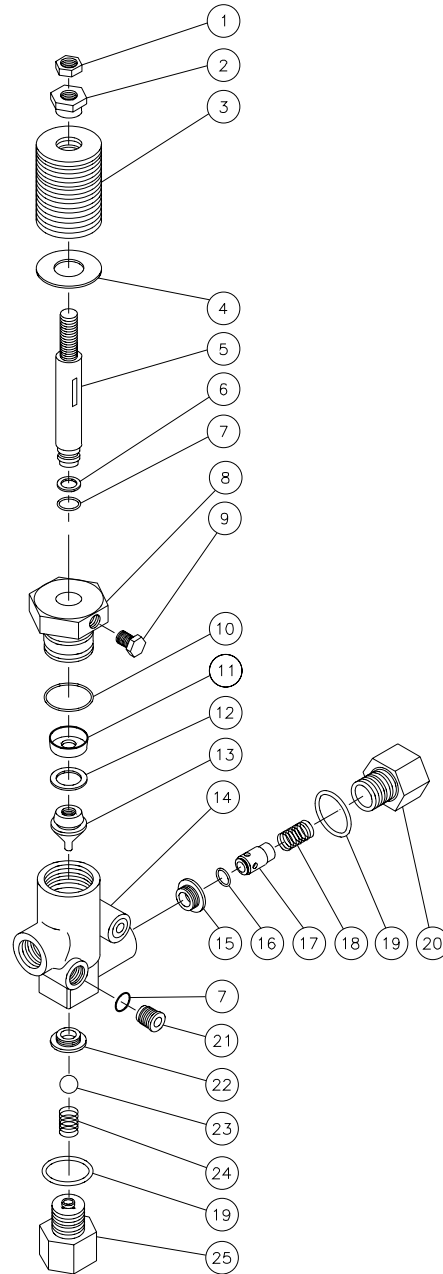
PUMP ASSEMBLY (3-0079)



3-0079-102999-RD

PUMP ASSEMBLY (3-0079)							
REF. #	DESCRIPTION	PART #	QTY.	REF. #	DESCRIPTION	PART #	QTY.
1	Hex Plug	39-0018	1	31	Piston Bolt	46-0069	3
2	Washer	28-1002	1	32	Washer	28-0400	3
3	Hex Plug	39-0019	1	33	O-ring	25-0014	4
4	Washer	28-1038	1	34	Back-up Ring	46-0109	3
5	Valve Assy. (Includes 11-15) (See 70-0009)	N/A Sep.	6	35	Plunger	46-0052	3
6	O-ring	25-0012	6	36	Slinger Washer	46-0146	3
7	Valve Plug	39-0020	6	37	Piston Rod	46-0056	3
8	Bolt	27-8185	8	38	Connecting Rod	46-0051	3
9	Flatwasher	28-1039	8	39	Lockwasher	29-0154	6
10	Pump Manifold - Brass 20mm	46-0060	1	40	Bolt	27-8435	6
11	O-ring (See 70-0009)	N/A Sep.	6	41	O-ring Cover	25-0339	1
12	Valve Seat (See 70-0009)	N/A Sep.	6	42	Crankcase Cover	46-0295	1
13	Valve Plate (See 70-0009)	N/A Sep.	6	43	Bolt	27-8404	5
14	Valve Spring (See 70-0009)	N/A Sep.	6	44	Hex Plug	39-0017	1
15	Valve Cage (See 70-0009)	N/A Sep.	6	45	Oil Level Indicator	46-0114	1
16	High Pressure Head Ring (See 852-0122)	N/A Sep.	3	46	Connecting Rod Pin	43-0032	3
17	High Pressure V-Packing (See 852-0122)	N/A Sep.	3	47	Retaining Ring	46-0103	6
18	Stop Ring Packing (See 852-0122)	N/A Sep.	3	48	Crankshaft	46-0050	1
19	Intermediate Ring	46-0659	3	49	Key	43-0048	1
20	Low Pressure Seal (See 852-0122)	N/A Sep.	3	50	Oil Seal	26-0049	1
21	Seal Retainer	46-0057	3	51	Shim	46-0113	1
22	O-ring	25-0015	3	52	Crankcase Cover-Open	46-0296	1
23	Oil Seal	26-0047	3	53	Lockwasher	29-0055	4
24	Bushing	9-0029	3	54	Bolt	27-8471	4
25	Bolt	27-8431	8		Valve Kit (6 each of 11-15)	70-0009	
26	Crankcase Cover-Closed	46-0336	1		Head Ring Kit (3 each of 16)	70-0030	
27	O-ring	25-0013	2		Packing Kit (3 each of 17, 18, 20)	70-0147	
28	Roller Bearing	48-0012	2		Packing Assy. (3 each of 16, 17, 18, 20, 22)	852-0122	
29	Crankcase	46-0047	1		Intermediate Retainer Kit (3 each 18, 19)	70-0148	
30	Oil Dipstick	46-0144	1				

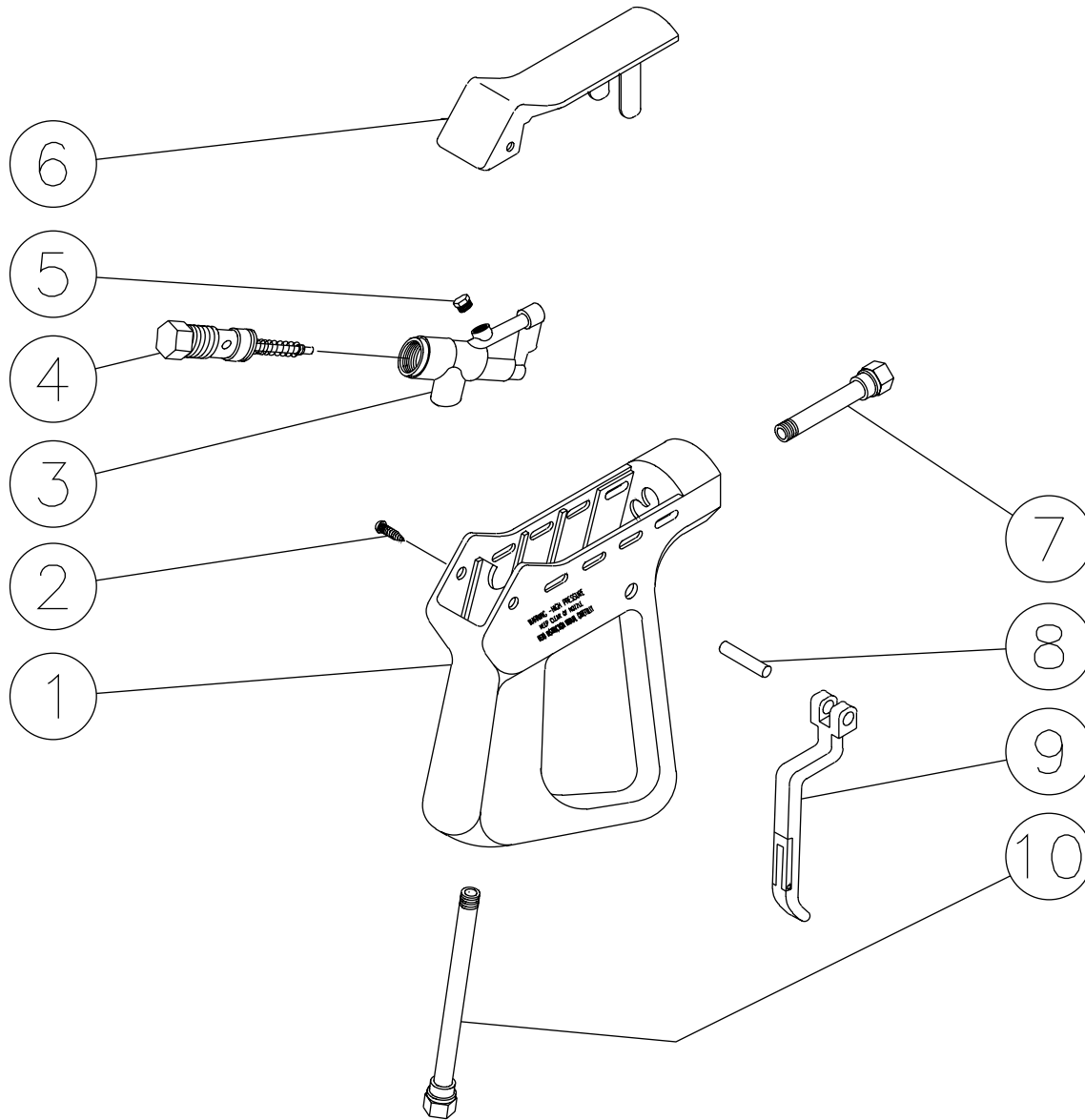
UNLOADER ASSEMBLY (8-0032)



OMGEN074-083094-BAR

UNLOADER ASSEMBLY (8-0032)			
REF.#	DESCRIPTION	PART #	QTY.
1	Locknut	30-3058	1
2	Adjusting Nut	8-0089	1
3	Spring Washers - Orange	8-0009	15
4	Washer	28-0250	1
5	Valve Stem	8-0037	1
6	Backup Ring	8-0038	1
7	O-ring	25-0009	5
8	Valve Cap	8-0036	1
9	Set Screw	8-0084	1
10	O-ring	25-0008	1
11	Cup	8-0034	1
12	Back-up Ring	8-0040	1
13	Piston	8-0039	1
14	Valve Body	8-0164	1
15	Outlet Seat	8-0006	1
16	O-ring	25-0011	1
17	Outlet Valve	8-0004	1
18	Spring	49-0016	1
19	O-ring	25-0010	2
20	Outlet Retainer	8-0003	1
21	Brass Plug	8-0011	4
22	Valve Seat	8-0005	1
23	Ball	8-0041	1
24	Spring	49-0015	1
25	Inlet Retainer	8-0165	1
	Unloader Repair Kit (Inc. 6, 7, 10-12, 16 and 19)	70-0044	

GUN ASSEMBLY (16-0001)



16-0001-110399-RD

16-0001-110399-RD

GUN ASSEMBLY (16-0001)			
REF. #	DESCRIPTION	PART #	QTY.
1	Plastic Housing	16-0008	1
2	Screw	27-3230	2
3	Brass Housing	16-0012	1
4	Gun Repair Kit	70-0055	1
5	Brass Plug	39-0024	1
6	Plastic Cover	16-0009	1
7	Pipe Assembly	16-0013	1
8	Trigger Pin	16-0063	1
9	Trigger/Safety Lock-off	16-0010	1
10	Pipe Assembly- Inlet	16-0016	1
	Complete Gun Assembly	16-0001	1

NOTES

NOTES

